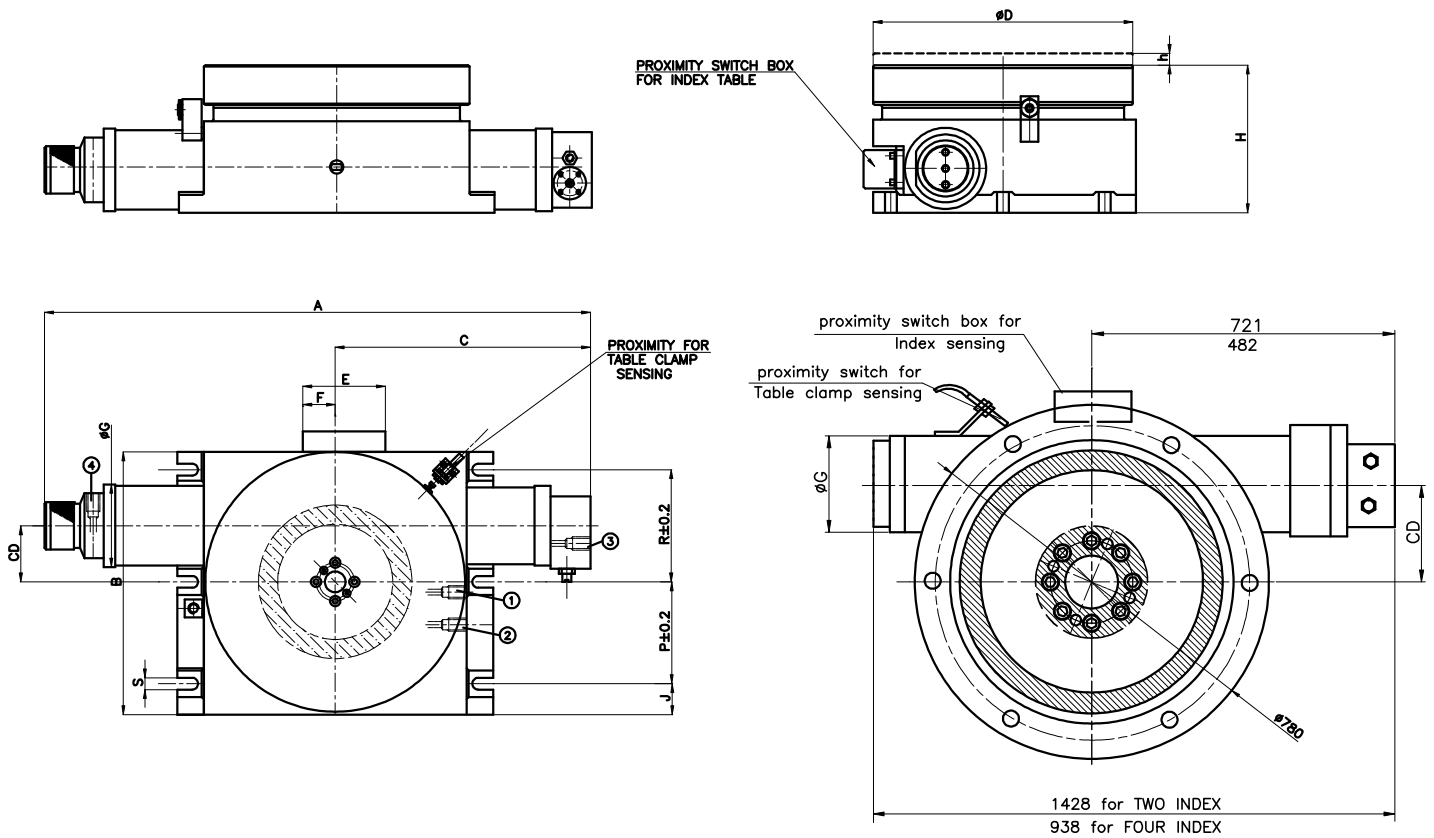




# PRECITEC MODULAR UNITS

## UHRT SERIES HYDRAULIC ROTARY INDEXING TABLE



**HYDRAULIC OIL PORTS :**

- 1). 1/2" B.S.P. ENTRY FOR TABLE LIFTING
- 2). 1/2" B.S.P. ENTRY FOR TABLE CLAMPING.
- 3). 3/8" B.S.P. ENTRY FOR TABLE INDEXING, CYL.HOME.
- 4). 3/8" B.S.P. ENTRY FOR TABLE INDEXING POSITION.

Type	Overall length A	Overall width B	Table top dia CD	Table dia ØD	E	F	Width of holding down Bolt cnr. ØG	Height H	Table lift h	J	P	R	Mounting Slot width S
UHRT 210	532	270	257	210	100	30	100	160	3	30	80	-	14, 4slots
UHRT 320	690	313	330	320	126	50	94	180	4	50	110	-	18, 4slots
UHRT 400	795	406	290	400	126	50	120	225	4	46	160	175	18, 6slots
UHRT 800	REF DRG	-	203	800			185	325		PCD 720			Ø18.6, 6holes

**LOADING DATA (at 30 bar working pressure):**

Type	MACHINING FORCES: (when table clamped)			TABLE LOADS		
	Thrust force within ØD. F1 in N	Torque or machining forces F2 in Nm	Tilting moment or machining forces F3 in Nm	Load carried within ØD F4 in Kg	Eccentric load F5 in Nm	
UHRT 210	15000	1690	910	100	170	
UHRT 320	20000	5500	3000	500	600	
UHRT 400	30000	12700	7500	750	1000	
UHRT 800	60000	58000	33000	2400	2500	